



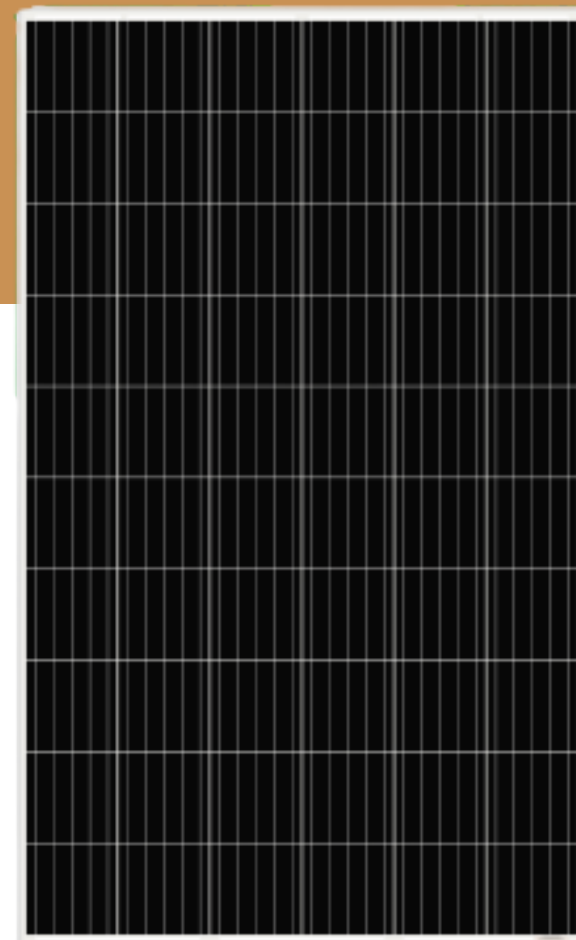
Supplied by



AS-6M30

305W~335W

MONOCRYSTALLINE MODULE



ADVANCED PERFORMANCE & PROVEN ADVANTAGES

- High module conversion efficiency up to 20.14% by using Passivated Emitter Rear Contact (PERC) technology.
- Low degradation and excellent performance under high temperature and low light conditions.
- Robust aluminum frame ensures the modules to withstand wind loads up to 3600Pa and snow loads up to 5400Pa.
- High reliability against extreme environmental conditions (passing salt mist, ammonia, and hail tests).
- Potential induced degradation (PID) resistance.

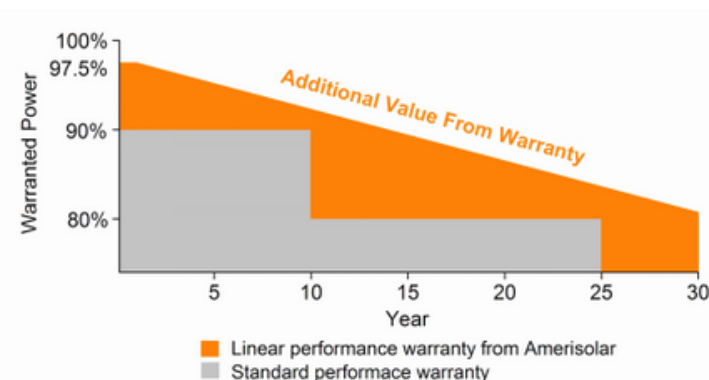
CERTIFICATIONS

- IEC 61215, IEC 61730, UL 1703, IEC 62716, IEC 61701, IEC TS 62804, CE, CQC, ETL(USA), JET(Japan), J-PEC(Japan), KS(South Korea), BIS(India), MCS(UK), CEC(Australia), CSI Eligible(CA-USA), Israel Electric(Israel), InMetro(Brazil), TSE(Turkey)
- ISO 9001:2015: Quality management system
- ISO 14001:2015: Environmental management system
- ISO 45001:2018: Occupational health and safety management system



SPECIAL WARRANTY

- 20 years product warranty
- 30 years linear power output warranty



ELECTRICAL CHARACTERISTICS AT STC

Maximum Power (Pmax)	305	310	315	320	325	330	335
Open Circuit Voltage (VOC)	39.8	40.0	40.2	40.4	40.6	40.8	41.0
Short Circuit Current (ISC)	9.79	9.88	9.97	10.06	10.15	10.25	10.35
Voltage at Maximum Power (Vmp)	32.6	32.8	33.0	33.2	33.4	33.6	33.8
Current at Maximum Power (Imp)	9.36	9.46	9.55	9.64	9.74	9.83	9.92
Module Efficiency (%)	18.4	18.64	18.94	19.24	19.54	19.84	20.14
Operating Temperature	-40°C to +85°C						
Maximum System Voltage	1000V DC/1500V DC						
Fire Resistance Rating	Type 1 (in accordance with UL1703)/Class C (IEC61730)						
Maximum Series Fuse Rating	15A						

STC: Irradiance 1000W/m², Cell temperature 25°C, AM1.5; Tolerance of Pmax: ±3%; Measurement Tolerance: ±3%

ELECTRICAL CHARACTERISTICS AT NOCT

Maximum Power (Pmax)	226	230	234	238	242	246	250
Open Circuit Voltage (VOC)	36.7	36.9	37.1	37.3	37.5	37.7	37.9
Short Circuit Current (ISC)	7.93	8.00	8.08	8.15	8.22	8.30	8.38
Voltage at Maximum Power (Vmp)	29.8	30.0	30.2	30.4	30.6	30.8	31.0
Current at Maximum Power (Imp)	7.59	7.67	7.75	7.83	7.91	7.99	8.07

NOCT: Irradiance 800W/m², Ambient temperature 20°C, Wind Speed 1 m/s

MECHANICAL CHARACTERISTICS

Cell Type	Monocrystalline 158.75x158.75mm
Number of cells	60 (6x10)
Module dimensions	1660x1002x35mm (65.35x39.45x1.38inches)
Weight	18kg (39.7lbs)
Front cover	3.2mm (0.13inches) tempered glass with AR coating
Frame	Anodized aluminum alloy
Junction box	IP67, 3 diodes
Cable	4mm ² (0.006inches ²), 900mm (35.43inches)
Connector	MC4 or MC4 compatible

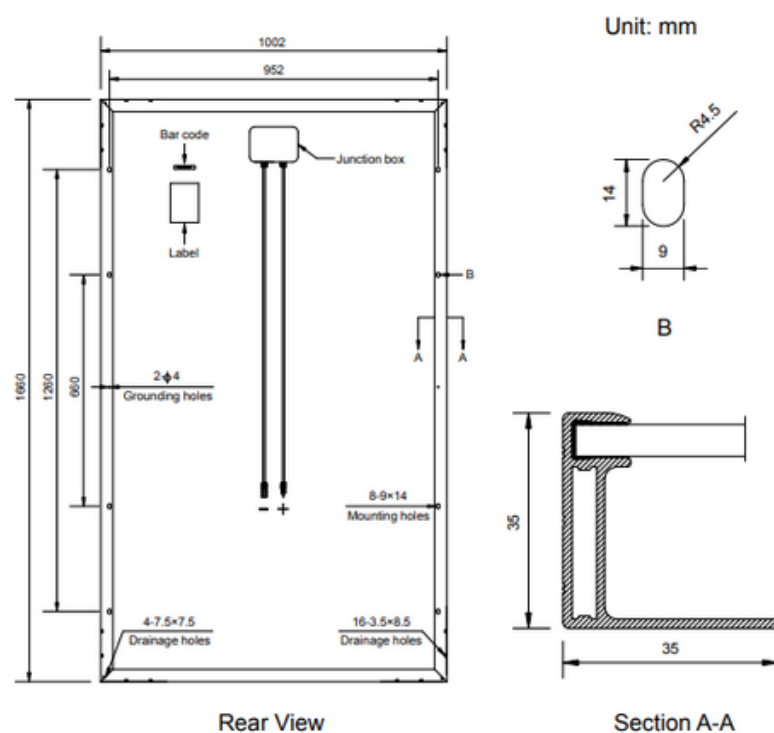
TEMPERATURE COEFFICIENT

Nominal Operating Cell Temperature (NOCT)	45°C±2°C
Temperature Coefficients of Pmax	-0.38%/°C
Temperature Coefficients of VOC	0.29%/°C
Temperature Coefficients of ISC	0.052%/°C

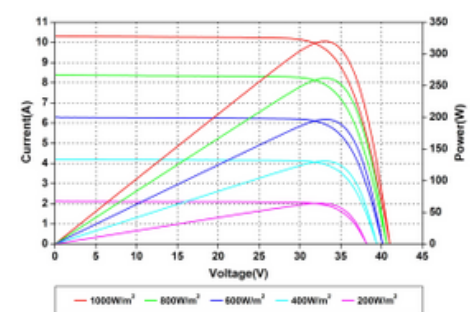
PACKAGING

Standard packaging	31pcs/pallet
Module quantity per 20' container	372pcs
Module quantity per 40' container	868pcs(GP)/952pcs(HQ)

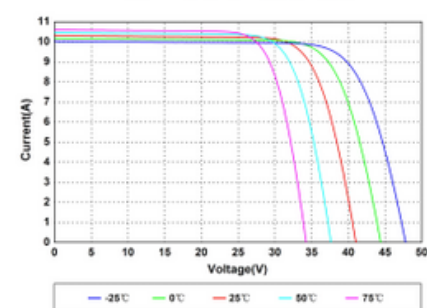
ENGINEERING DRAWINGS



IV CURVES



Current-Voltage and Power-Voltage Curves at Different Irradiances



Current-Voltage Curves at Different Temperatures